



ENCLOSING ELECTRONICS ONE BOX AT A TIME

ENCLOSURES & ASSEMBLY SERVICES

ENCLOSURES & ASSEMBLY SERVICES

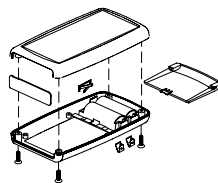
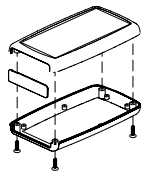
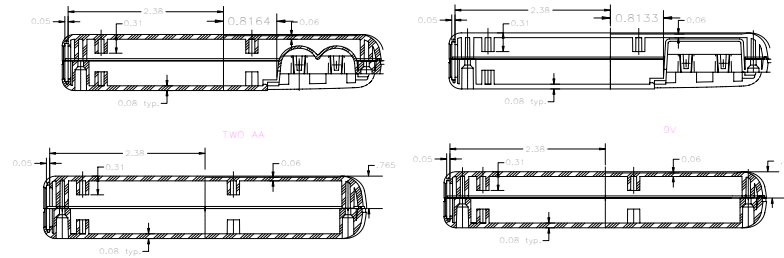
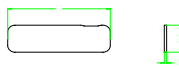
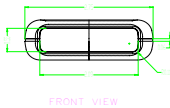
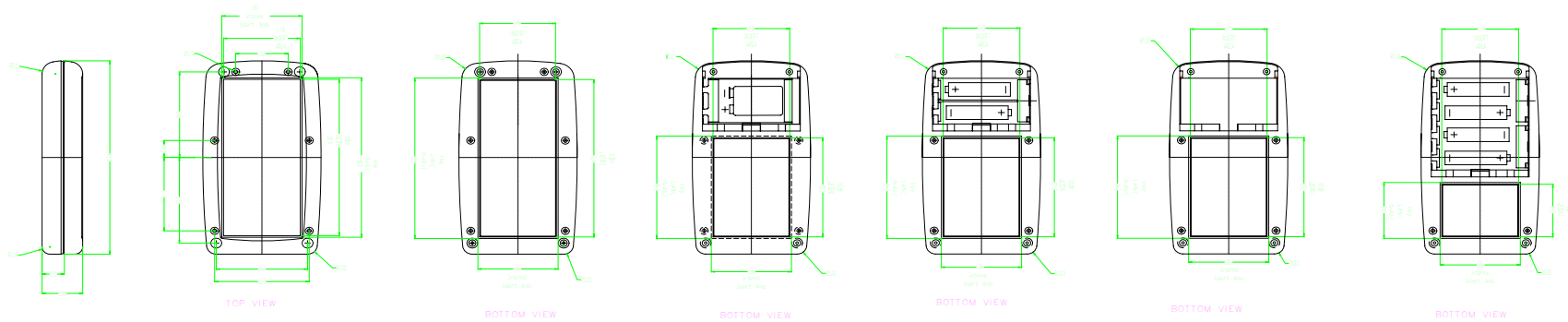
BOX ENCLOSURES, INC

28835 N. HERKY DRIVE, #114,
LAKE BLUFF, IL 60044

TEL: 847-932-4700

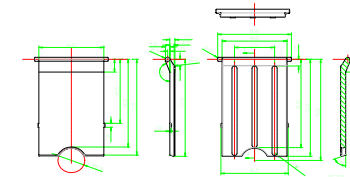
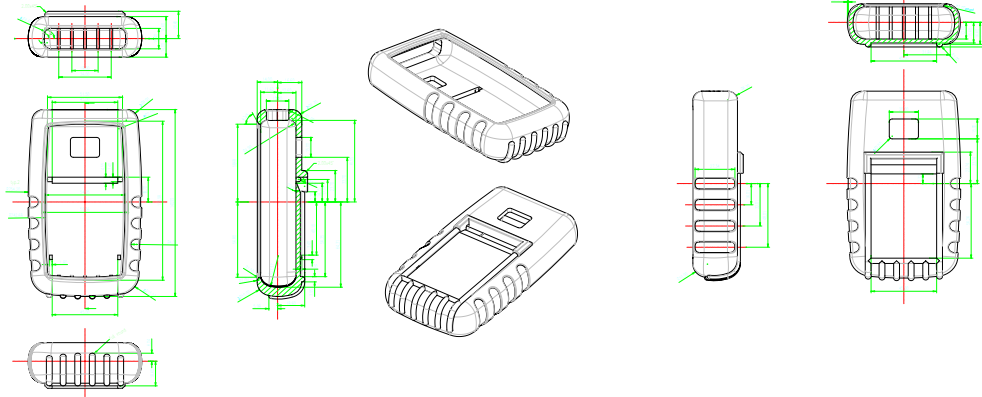
WWW.BOXENCLOSURES.COM

FAX: 847-932-4701



NO BATTERY COMPARTMENT W/ DEEP TOP

NO BATTERY COMPARTMENT W/ SHALLOW TOP



THIS DRAWING IS THE PROPERTY OF AND MAY EMBODY PROPRIETARY INFORMATION OWNED BY X-Box Enclosures. IT IS PROVIDED UNDER A CONFIDENTIAL RELATIONSHIP FOR A SPECIFIC PURPOSE. THE RECIPIENT AGREES TO USE IT ONLY FOR SUCH PURPOSE AND RETURN IT TO X-Box Enclosure UPON REQUEST.

<p>ENCLOSURES & ASSEMBLY SERVICES ENCLOSURES & ASSEMBLY SERVICES</p>		ENCLOSING ELECTRONICS ONE BOX AT A TIME		Revision:	
Title		55-SERIES		Model:	
Material:		TOLERANCE all dimension in mm unless otherwise specified		Dwg. No.:	
Finish:		Color:		Part No.:	
Proj.		x ±0.20 .x ±0.10 .xx ±0.05 ANGLE ±0.5°		Dnn. Date Tan zonghaun Apr 10 04 Chk. Date	
		A4		Sheet of	
				App. Date	